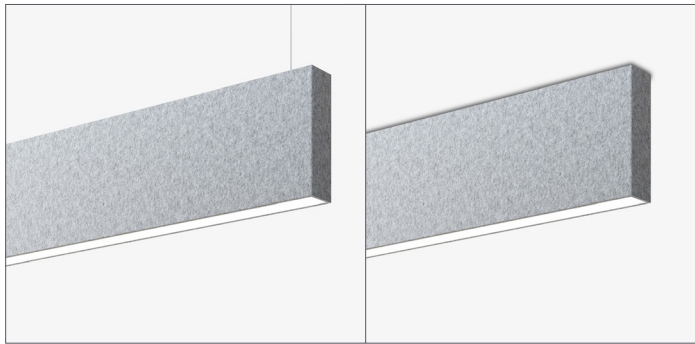


RAIL 1.5 ACOUSTIC LIT

S1-ACL . LED . DIRECT



- Optimal lighting with acoustic baffle technology by **EZO** BOARD
- Baffle height options of 8" and 12"
- Baffle material is resistant to bacteria and moisture
- Standard Color and Wood Grain Print baffle options



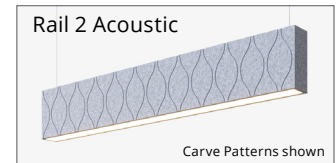
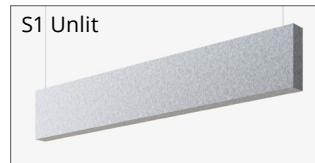
PART #:	
PREP BY:	DATE:
PROJECT:	QTY:
NOTES:	
APPROVAL SIGNATURE:	DATE (DD/MM/YYYY):

PERFORMANCE SUMMARY @ 3500K

		Meta Blanc (MB)
Light Level		75
Lumens per foot	80 CRI	766
	90 CRI	670
Wattage per foot		7.4
Efficacy (LPW)	80 CRI	103
	90 CRI	90.5
L70 Estimate (h)		≥ 60,000 hrs

See page 2 for the complete Light Level Performance chart.

MORE ACOUSTIC PRODUCTS



ORDERING LOGIC

Example Part Number: S1-ACL-35K-8-MB-08WAP-50EM-PA12-4

S1	ACL				MB									
1. SERIES	2. MODEL	3. COLOR TEMP	4. LENGTH			5. PATTERN	6. OPTICS	7. ACOUSTIC BAFFLE						
S1	ACL Acoustic Lit	30K 3000K 35K 3500K 40K 4000K	2 2 ft	5 5 ft	8 8 ft	Consult factory	MB Meta Blanc	Code example: 08 WAP HEIGHT ↑ ↖ ↗ ↘ BAFFLE						
		90 CRI is available under OPTIONS	RA Continuous Rows C Custom Length / Configurations (Consult factory) — None (leave space empty)				Meta Blanc: Opal diffuse lens	HEIGHT 08 = 8 inches 12 = 12 inches	BAFFLE See page 3 for full list of Standard Color or Wood Grain Print options & codes					
8. LIGHT LEVEL / DRIVER		9. CIRCUITRY	10. MOUNTING			11. VOLTAGE	12. SENSORS	13. CONTROLS	14. OPTIONS					
35 350 lm/ft 50 500 lm/ft 75 750 lm/ft 100 1000 lm/ft		C Custom Range Specify lumens: (between 350-1000 at 50 lm intervals)	1 1 Circuit EM Emergency / Night Light B Emergency Battery Pack ¹			PAX Pendant Aircraft Cable PTX Pendant Aircraft Cable for T-bar PSX Pendant Aircraft Cable Surface S Surface (Ceiling)	3 347V (Consult factory) 4 UNV (120 - 277V)	Tap to view Sensors and Controls Reference Guide	90 90 CRI (High R9) — None (leave space empty)					
Select Driver below. See Light Level Performance chart on p.2.			Replace "X" with length (inches) selected below. Select Hanger Length and indicate Canopy and Power Cord Finish below											

¹Battery operates 4ft sections only.

Select Driver:

- FD** Factory option 0-10V, 1% Dimming
- LHE** Lutron H-Series Hi-Lume 1% EcoSystem LED Driver
- LSE** Lutron 5-Series EcoSystem LED Driver

Select Hanger Length

Total aircraft adjustment range is 6" up & down for each standard length. See detailed hanger diagrams on page 5. All other lengths are considered custom unless otherwise stated.

NOTE: If no selection is made, a 48" hanger will be supplied.

Select:	Imperial (in)	Metric (mm)
<input type="checkbox"/>	12	305
<input type="checkbox"/>	18	460
<input type="checkbox"/>	24	610
<input type="checkbox"/>	30	760
<input type="checkbox"/>	36	915
<input type="checkbox"/>	42	1067
<input type="checkbox"/>	48	1220

Select:	Imperial (in)	Metric (mm)
<input type="checkbox"/>	54	1372
<input type="checkbox"/>	60	1525
<input type="checkbox"/>	72	1830
<input type="checkbox"/>	96	2440
<input type="checkbox"/>	120	3050
<input type="checkbox"/>	144	3660
<input type="checkbox"/>	Custom Length: _____	

Select Canopy and Power Cord Finish

White canopy & cord is standard

Canopy	Cord
<input type="checkbox"/> Custom RAL: _____	<input type="checkbox"/> Custom RAL: _____

LIGHT LEVEL PERFORMANCE & PHOTOMETRIC DATA

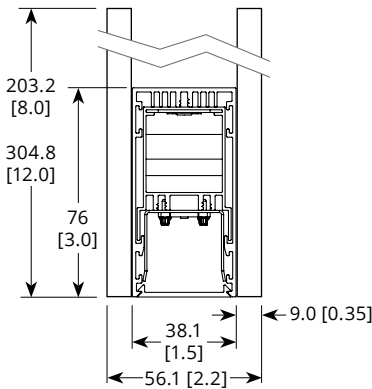
3000K, 85 CRI, 0-10V Dimming (Standard)

Light Level	Lumens per foot	Wattage per foot	Efficacy (lm/W)	IES File	Distribution % (Down / Up)	Zonal Lumens (0-90 / 90-180)	Distribution Curve Light Level 75
35	364	3.4	107	S1-ACL-35K-4-MB-35	100 / 0	1455 / 0	
50	521	5.0	105	S1-ACL-35K-4-MB-50		2082 / 0	
75	766	7.4	103	S1-ACL-35K-4-MB-75		3063 / 0	
100	1022	10.3	99	S1-ACL-35K-4-MB-100		4089 / 0	
Metalumen's light level performance metrics are subject to manufacturers component tolerances. Photometric performance is measured and scaled in accordance with IESNA LM-79.							

Lumen Adjustment Factor (Standard)

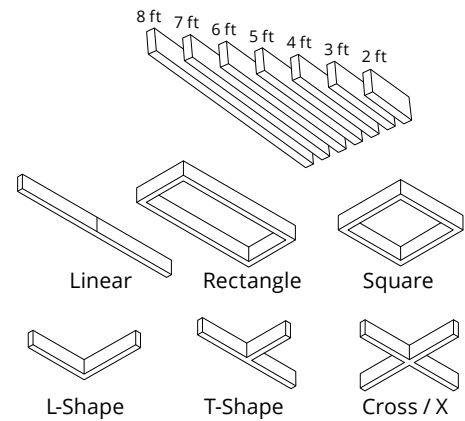
Color Temp	80 CRI	90 CRI
3000K	0.984	0.880
3500K	1.000	0.875
4000K	1.032	0.879

CROSS SECTION



LENGTHS & CONFIGURATIONS

- 2 ft - 642 [25.25]
- 3 ft - 946 [37.25]
- 4 ft - 1251 [49.25]
- 5 ft - 1556 [61.25]
- 6 ft - 1861 [73.25]
- 7 ft - 2166 [85.25]
- 8 ft - 2413 [95.00]



SPECIFICATIONS

Due to the Continuous Improvement Policy at Metalumen, we reserve the right to change our specifications without notice.

Housing: Rigid extruded aluminum body, 2.0mm (0.08") nominal wall thickness.

Optical System: Metalumen luminaires are designed to utilize leading edge LED technology combined with luminaire optimized reflectors and our custom diffusers, resulting in industry leading optical performance.

CRI: 83 (3500K) (80 minimum)

Lumen Maintenance: Minimum 50,000h with TM-21 lumen maintenance of 85% @ 25°C ambient temperature (calculated based on IESNA LM-80-08 LED test data). L70: ≥60,000hrs.

Weight: 1.4 lb/ft or 0.6 kg/300mm.

Mounting: *Pendant Aircraft Cable* - Aircraft cable suspension system with Quick-Grip field-adjustable grippers. Suitable for drywall, T-bar, or direct-

to-ceiling mounting. Provides quick and easy on-site alignment. **Surface (Ceiling)** - hardware provided to connect luminaire to ceiling.

Electrical: Factory prewired with easy wire quick connect sections.

Drivers: Metalumen offers 0-10V dimming* as a standard on our entire LED product offering. Dimming range is 1%-100%. Power factor is > 90%. Class 2 rating. Drivers are integral.

Approvals: All components are UL/CSA/QPS recognized or listed. RoHS compliant. This product is cULus listed. **Environment:** Suitable for dry or damp locations.

**Standard drivers compatible with passive/sinking dimmers. Please contact Metalumen if active/sourcing dimmer support is required.*

WARRANTY

Metalumen will warrant defective luminaires for 5 years from date of purchase. Warranty is valid if luminaire is installed and used according to specification. If defective, Metalumen will send replacement boards or drivers at no cost along with detailed replacement instructions and instructions on how to return defective components to Metalumen.

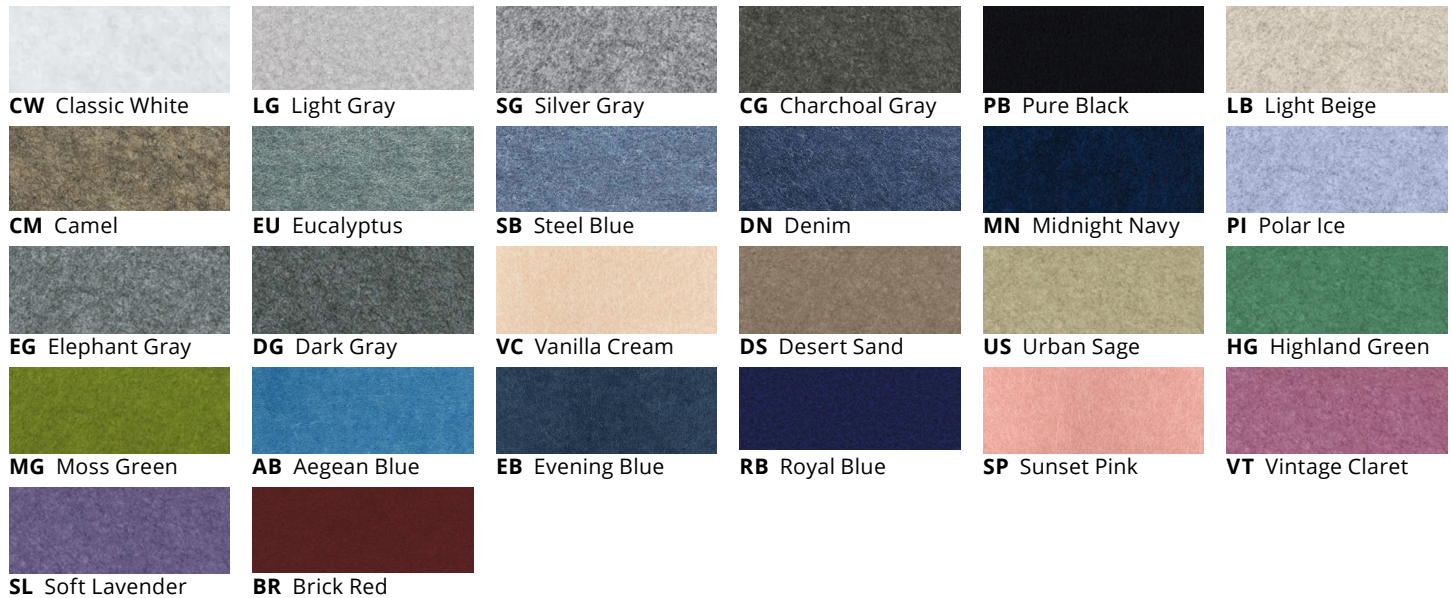
WIRING

Standard	Emergency / Night Light	Emergency Battery Pack
<ul style="list-style-type: none"> BLACK - LINE WHITE - NEUTRAL GREEN - GROUND RED - CAPPED/SW LEAD VIOLET - DIM(+) PINK - DIM(-) 	<ul style="list-style-type: none"> BLACK - LINE WHITE - NEUTRAL GREEN - GROUND RED - CAP OFF 	<ul style="list-style-type: none"> BLACK - LINE WHITE - NEUTRAL GREEN - GROUND RED - UNSWITCHED HOT

ACOUSTIC BAFFLE OPTIONS



STANDARD COLORS 3/8" (9mm)



WOOD GRAIN PRINTS



BAFFLE SPECIFICATIONS

Composition: 100% PET (min. 50% recycled content)
Thickness: 3/8" (9mm) | ±0.5mm
Weight: 3/8" (9mm) sheet: 8.4lbs (3.8kg) | ±5%

Hardness: 60-65 (Shore C)
Fire Testing:
 • North America:
 - ASTM E-84 Class A* - CAN ULC S102-10
 • Europe and UK:
 - EN13501-1: 2007
Acoustics: Refer to ASTM C423-17 test charts for specific absorption coefficients. NRC 0.75 (subject to

mounting conditions)
Product Variances: Variation in fiber mix and colour may occur. All products will be supplied within commercial tolerances.
General: Tackable, impact resistant, bacteria resistant, moisture resistant, installation friendly.
Environment: Made of polyester fiber,

min. 50% of which comes from recycled water bottles which contributes to LEED MR Credit and BREEAM Health and Wellbeing, Materials points due to recycled content, acoustic performance, and low emitting materials.
 No VOC's: CDPH v1.2 and REACH SVHC Compliant.

COMMITMENT TO THE ENVIRONMENT

There are approximately 50 billion water bottles consumed around the world each year, and only about half of those get recycled. The rest end up in landfills, littered through our neighborhoods, or floating in our oceans.

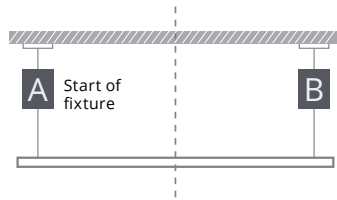
Bottled water consumption has more than doubled since 2000; in 2015 there was the equivalent of more than 5 bottles of water consumed for every person in the USA every single week. This, of course, means that the amount of oil required to produce the energy used for the water bottling process continues to grow.

In 2007, the last year global statistics of oil consumption were available,

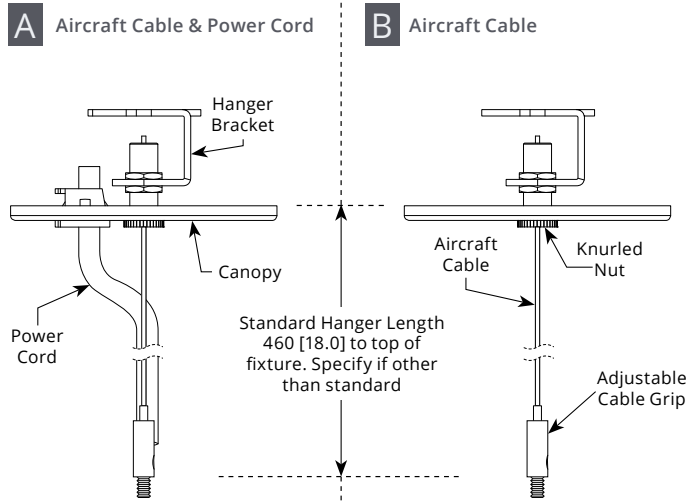
between 32 million and 54 million barrels of oil were used to produce the bottled water that was consumed in the USA alone. This energy is used to make the bottles from PET pellets (1 million tons in the USA), treat water, bottle the water, label the bottles, and transport the bottled water. Most of the energy consumption occurs in the creation of the bottles themselves. To help in the lifecycle of this plastic product, we have chosen

to manufacture our material so that it recycles these PET bottles. We are doing our part to reduce the waste. This acoustical and tackable material is made from PET bottles in a zero-waste process with postindustrial recycling. An environmentally friendly, sustainable, and waste reduced alternative to traditional acoustical/tackable material that looks great in any office, education, or open space installation.

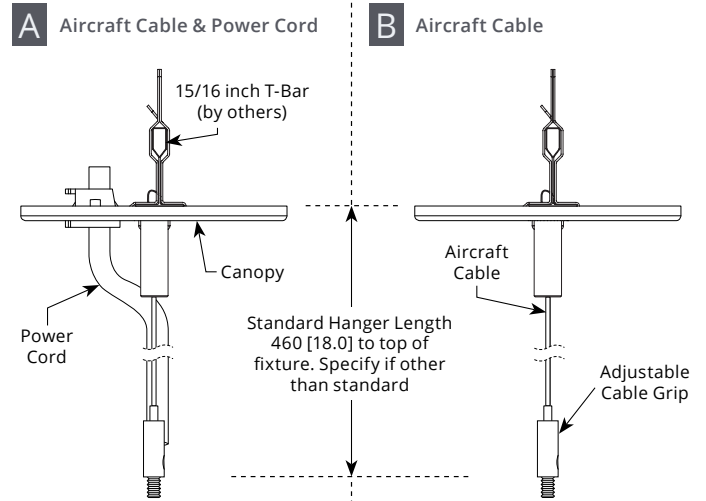
HANGER DETAILS



Aircraft Cable



Aircraft Cable for T-Bar



NOTE: Any change to cable or the removal of crimps transfers liability from Metalumen Mfg. Inc. to contractor making the alterations.

Aircraft Cable Surface

